

**TITLE: Pelican 1610 Transport Case Design Refinements**

**PRODUCTS AFFECTED: Pelican's 1610 Protector™ Cases**

**INTRODUCTION: The 1610 Transport Case design has been modified.**

**DETAILS:**

Exact revised measurements can be found at [www.pelicanoem.com](http://www.pelicanoem.com).

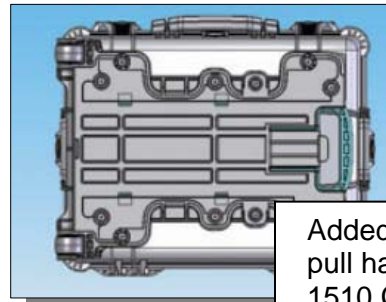
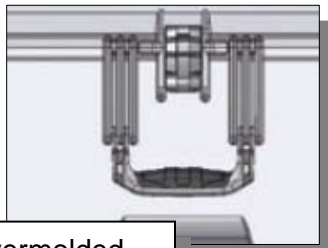
**Design refinements:**

**Different Pick 'N' Pluck™ Foam Measurements**

	Old Dimension	New Dimension
Convolutated foam	22.31" x 17.25"	22.4" x 17.38"
Pick 'N' Pluck	21.75" x 16.75"	22.12" x 17.12"



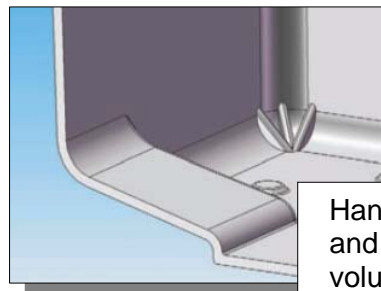
Added overmolded front and side handles



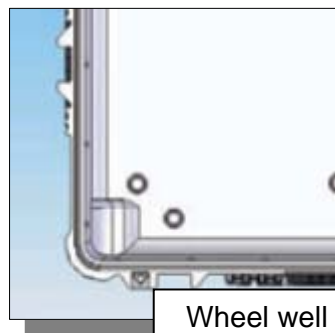
Added one-handed-action pull handle dolly (Similar to 1510 Carry On and 1560)



Inside wall thickness removed behind purge valve area to increase internal volume



Handle recess area deepened and narrowed – less internal volume



Wheel well ribs and interior flow channels removed to increase internal capacity

